

**YAMASHIN  
EXCEL**

**MWP**

Series

*All polypropylene filter that suitable for strong acid and alkali*

**特長 Features**

- All materials being used in the filter is completely made of polypropylene. A wide range of uses due to strong acid alkali and excellent resistance to many organic solvents
- You can use these products immediately, without any pre-treatment, because all the products have been manufactured by a continuous process under our stringent quality control.  
Before leaving our factory they are fully these to insure optimal performance.
- YAMASHIN has implemented a fully automated manufacturing process in order to reduce production costs.



**仕様 Specifications**

MWPシリーズ		MWP Series		015	020	030	040	060	01X	03X	05X	10X	20X	30X	40X	50X	60X	70X	80X	100	150	
ろ過精度(μm)		Filtering Rating(μm)		a.1.5	a.2.0	a.3.0	a.5.0	a.6.0	a.7.0	a.10	a.23	a.30	a.35	a.42	40	50	60	70	80	100	150	
材質	Material	Main-filter medium		ポリプロピレン									Polypropylene									
		Sub-filter medium		ポリプロピレン									Polypropylene									
		Molding quality of the material		ポリプロピレン									Polypropylene									
寸法	Dimension	全長	Length	10inch / 20inch / 30inch																		
		外径	Outer Diameter	70mm																		
		内径	Inner Diameter	25mm																		
耐熱		Heat Resistant Temperature		80°C																		
耐圧		Allowable Pressure		0.49MPa																		

a→absolute

**型式 Model No.**

**X M W P**            **1**  **0**

精度表示 Rating Indication			
記入 Entry	精度 Rating	記入 Entry	精度 Rating
015	1.5μm	20X	35μm
020	2.0μm	30X	42μm
030	3.0μm	40X	40μm
040	5.0μm	50X	50μm
060	6.0μm	60X	60μm
01X	7.0μm	70X	70μm
03X	10μm	80X	80μm
05X	23μm	100	100μm
10X	30μm	150	150μm

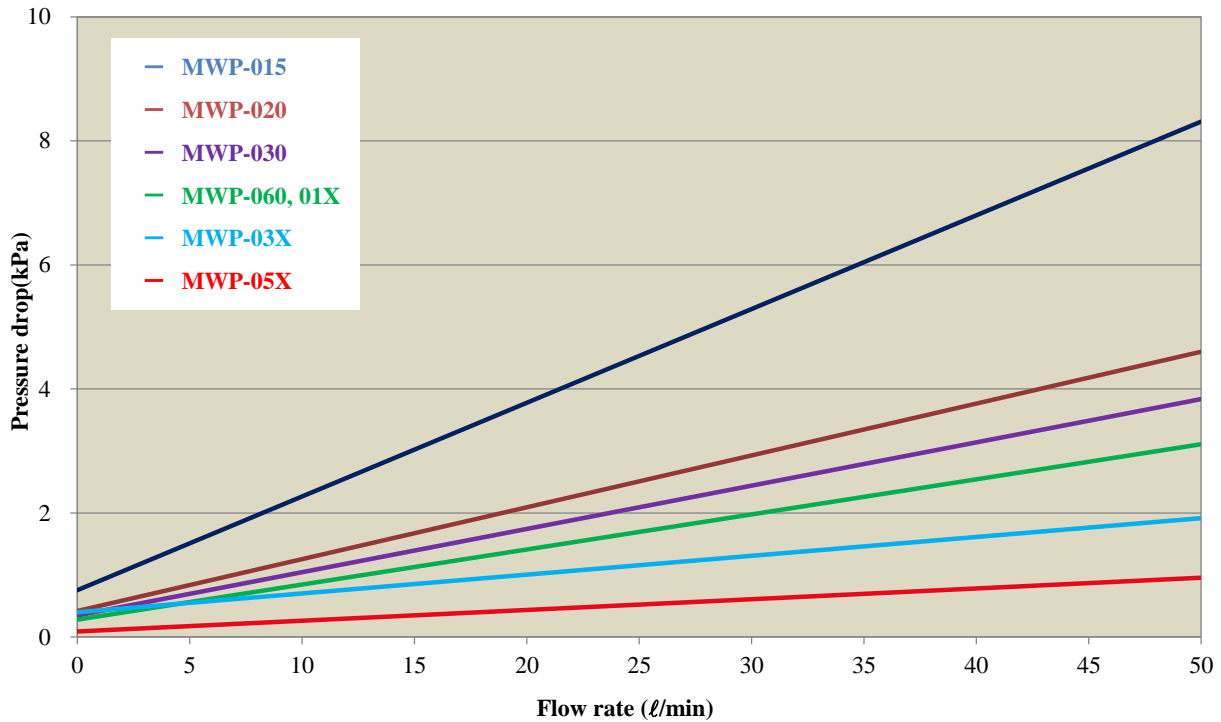
長さ表示 Length	
記入 Entry	長さ Length
1	10inch
2	20inch
3	30inch

シール形状 Shape of seal	
記入 Entry	形状 Shape
F	Flat DOE
M	222 O-ring SOE
T	226 O-ring SOE, Fin○
W	226 O-ring SOE

ガスケット/O-ring材質 Material of gaskets/O-ring		
記入 Entry	材質 Material	
N	NBR	NBR
S	シリコン	SILICONE
E	EPR	EPR
V	FPM	FPM
R	ソフトPTFE (ガスケットのみ)	Soft PTFE (Only the gasket)
T	PTFE (ガスケットのみ)	PTFE (Only the gasket)
F	PFAカプセル (リングのみ)	PFA capsule (Only the O-ring)

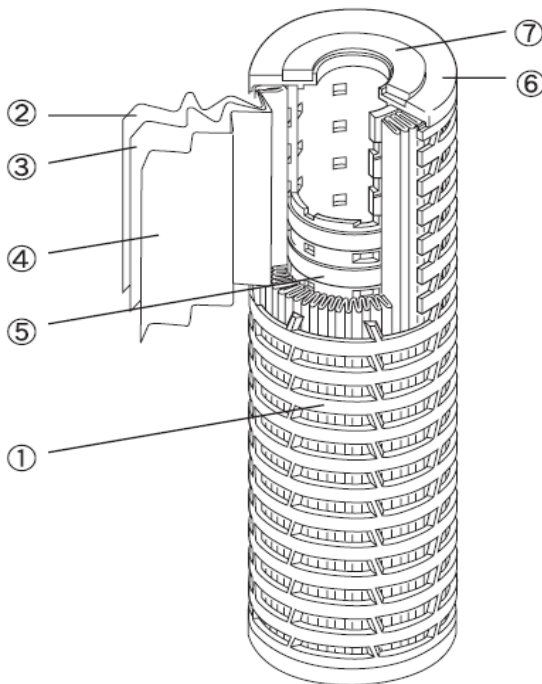
DOE ; 上下開放型 Top and bottom part opening style  
 SOE ; 下部開放型 Lower part opening style  
 Fin○ ; フィン付 With a Fin

## 流量－圧力損失 Flow rate - Pressure drop



※ Fluid: Purified water (20°C)  
Filter length: 250mm

## 構成 Structure



- |          |       |          |
|----------|-------|----------|
| ① 外筒     | ..... | ポリプロピレン  |
| ② サブろ材   | ..... | ポリプロピレン  |
| ③ メインろ材  | ..... | ポリプロピレン  |
| ④ サブろ材   | ..... | ポリプロピレン  |
| ⑤ 内筒     | ..... | ポリプロピレン  |
| ⑥ プレート   | ..... | ポリプロピレン  |
| ⑦ ガasket | ..... | EPR (標準) |

※ ガasket(O-リング)は、前頁のガasket/O-リング材質より選定できます。

- |                      |       |                |
|----------------------|-------|----------------|
| ① outer tube         | ..... | polypropylene  |
| ② sub-filter medium  | ..... | polypropylene  |
| ③ main-filter medium | ..... | polypropylene  |
| ④ sub-filter medium  | ..... | polypropylene  |
| ⑤ inner tube         | ..... | polypropylene  |
| ⑥ plate              | ..... | polypropylene  |
| ⑦ gasket             | ..... | EPR (standard) |

※ An gasket(O-ring) can be chosen from Material quality of gaskets/O-ring on reverse page.