

YAMASHIN FILTER

MWZ

Series

High-performance filter that is suitable for the classification / gel filtration.

特長 Features

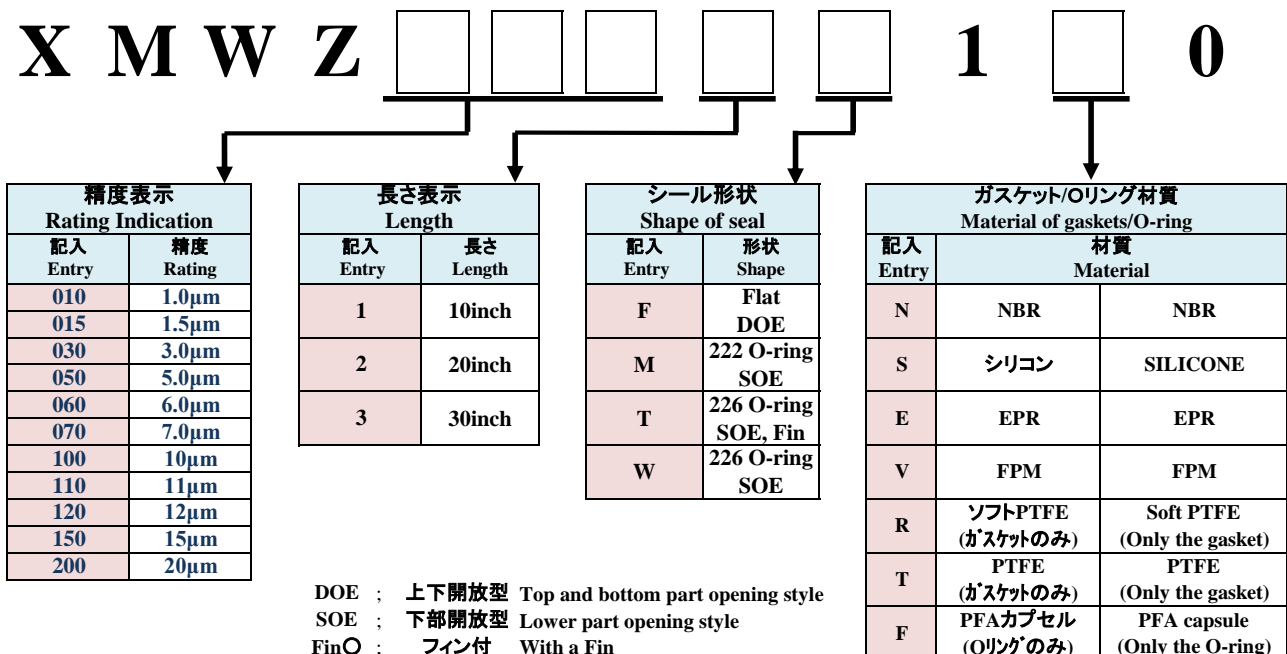
- It is a filter suitable for high viscosity fluid that is using polypropylene filter media of non calendar to the laminated structure.
- All materials being used in the filter is completely made of polypropylene. A wide range of uses due to strong acid alkali and excellent resistance to many organic solvents.
- You can use these products immediately, without any pre-treatment, because all the products have been manufactured by a continuous process under our stringent quality control. Before leaving our factory they are fully tested to insure optimal performance. Naturally, these products are manufactured in complete clean room.



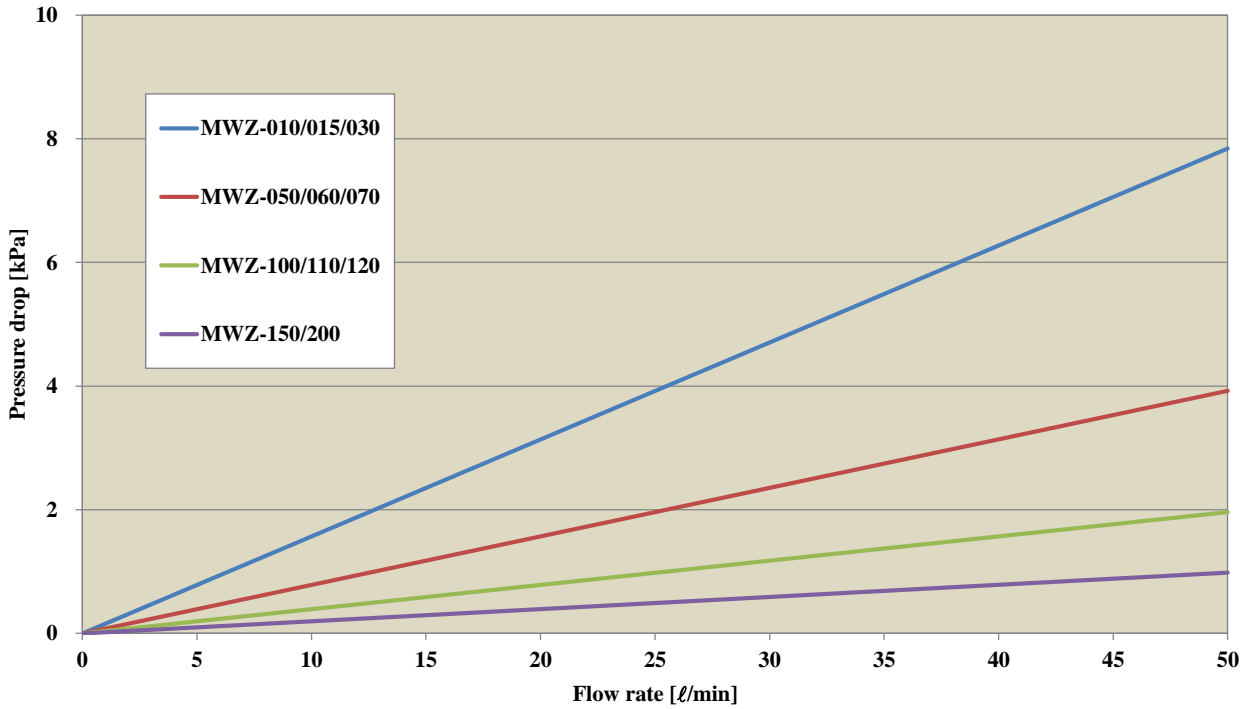
仕様 Specifications

MWZシリーズ		MWZ Series		010	015	030	050	060	070	100	110	120	150	200
ろ過精度(μm)		Filtering Rating(μm)		1.0	1.5	a.3.0	a.5.0	a.6.0	a.7.0	a.10	a.11	a.12	a.15	a.20
材質	Material	Main-filter medium		ポリプロピレン					Polypropylene					
		Sub-filter medium		ポリプロピレン					Polypropylene					
		Molding quality of the material		ポリプロピレン					Polypropylene					
寸法	Dimension	全長	Length	10inch(250mm), 20inch(500mm), 30inch(750mm)										
		外径	Outer Diameter	70mm										
		内径	Inner Diameter	25.9mm										
耐熱		Heat Resistant Temperature		80°C										
耐圧		Allowable Pressure		0.49MPa										

型式 Model No.

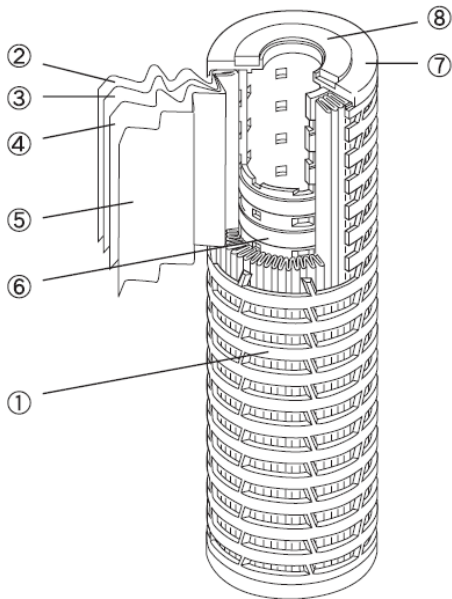


流量－圧力損失 Flow rate - Pressure drop



※ Fluid: Purified water (20° C)
Filter length: 250mm

構成 Structure



①	外筒	ポリプロピレン
②	サポートネット	ポリプロピレン
③	サブろ材	ポリプロピレン
④	メインろ材	ポリプロピレン
⑤	サポートネット	ポリプロピレン
⑥	内筒	ポリプロピレン
⑦	プレート	ポリプロピレン
⑧	ガスケット	EPR (標準)

※ ガスケット(O-リング)は、前頁のガスケット/Oリング材質より選定できます。

①	outer tube	polypropylene
②	support net	polypropylene
③	sub-filter medium	polypropylene
④	main-filter medium	polypropylene
⑤	support net	polypropylene
⑥	inner tube	polypropylene
⑦	plate	polypropylene
⑧	o-ring	EPR (standard)

※ A gasket [o-ring] can be chosen from Material quality of Gaskets/O-ring on reverse page.