

**YAMASHIN
EXCEL**

SPE

Series

PES membrane filter that was both high efficiency / low pressure loss.

特長 Features

- Because it is formed by density gradient consisting of coarse upstream layer and fine downstream layer by asymmetric membrane technology, it was realized the low pressure loss and long life.
- Extremely low extractive levels.
- You can be assorted of worry-free use. Because these filters are manufactured by our continuous process with strict quality control.



仕様 Specifications

| SPEシリーズ | | SPE Series | | 005 | 010 | 020 | 045 |
|---------|-----------|---------------------------------|----------------|--------------------------|-------|------------------|--------|
| ろ過精度 | | Filtering Rating(μm) | | a.0.05 | a.0.1 | a.0.2 | a.0.45 |
| 材質 | Material | Main-filter medium | | ポリエーテルサルフォン | | Polyethersulfone | |
| | | Sub-filter medium | | ポリプロピレン | | Polypropylene | |
| | | Molding quality of the material | | ポリプロピレン | | Polypropylene | |
| 寸法 | Dimension | 全長 | Length | 10inch / 20inch / 30inch | | | |
| | | 外径 | Outer Diameter | 70mm | | | |
| | | 内径 | Inner Diameter | 25mm | | | |
| 耐熱 | | Heat Resistant Temperature | | 80°C | | | |
| 耐圧 | | Allowable Pressure | | 0.39MPa | | | |

a→absolute

型式 Model No.

X S P E **1** **1**

| 精度表示 Rating Indication | |
|---------------------------|--------------|
| 記入 Entry | 精度 Rating |
| 005 | abs.0.05μm |
| 010 | abs.0.1μm |
| 020 | abs.0.2μm |
| 045 | abs.0.45μm |

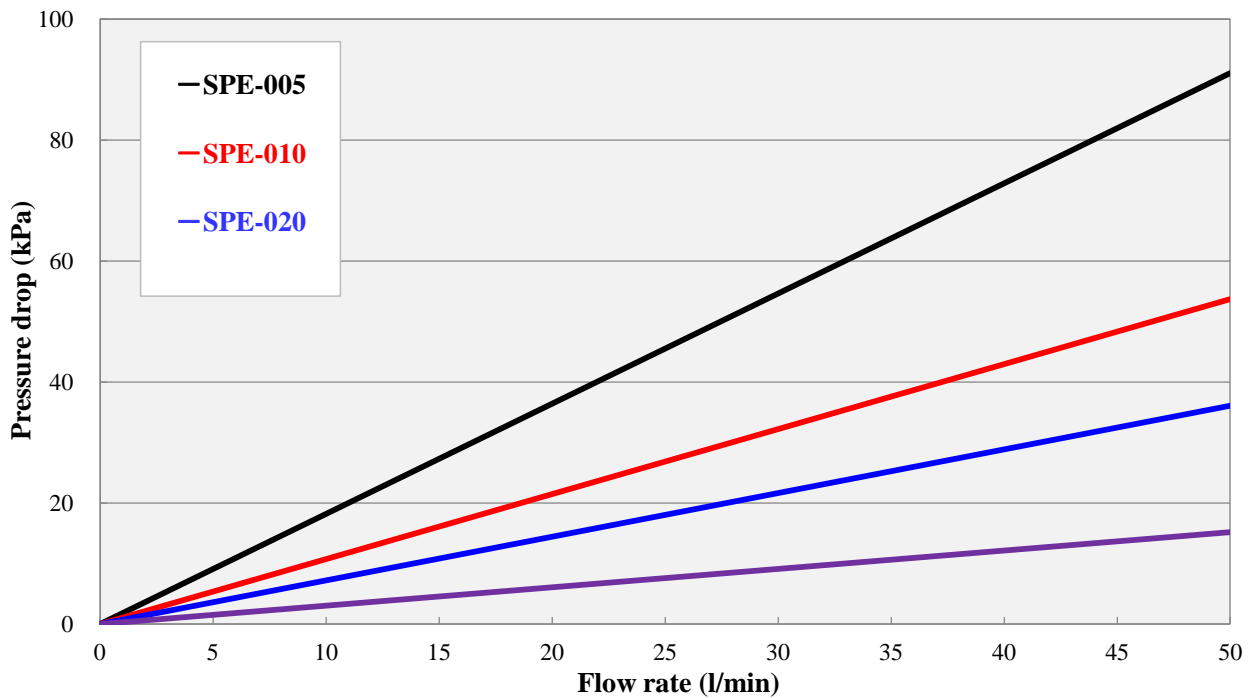
| 長さ表示 Length | |
|----------------|--------------|
| 記入 Entry | 長さ Length |
| 1 | 10inch |
| 5 | 20inch |
| 3 | 30inch |

| シール形状 Shape of seal | |
|------------------------|-------------------------|
| 記入 Entry | 形状 Shape |
| F | Flat DOE |
| M | 222 O-ring SOE |
| T | 226 O-ring SOE, Fin○ |

| ガスケット/O-リング材質 Material of gaskets/O-ring | | |
|---|----------------------|----------------------------------|
| 記入 Entry | 材質 Material | |
| N | NBR | NBR |
| S | シリコン | SILICONE |
| E | EPR | EPR |
| V | FPM | FPM |
| R | ソフトPTFE (ガスケットのみ) | Soft PTFE (Only the gasket) |
| T | PTFE (ガスケットのみ) | PTFE (Only the gasket) |
| F | PFAカプセル (Oリングのみ) | PFA capsule (Only the O-ring) |

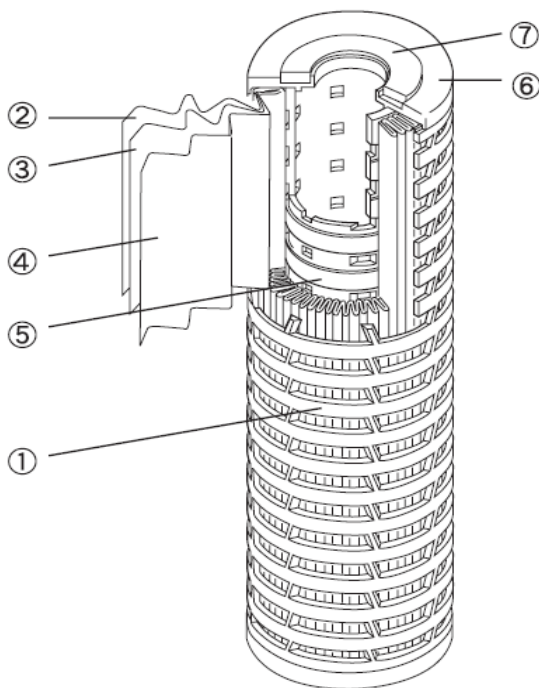
DOE : 上下開放型 Top and bottom part opening style
 SOE : 下部開放型 Lower part opening style
 Fin○ : フィン付 With a fin

流量 - 圧力損失 Flow rate - Pressure drop



※ Fluid: Purified water (20° C)
Filter length: 250mm

構成 Structure



- | | | |
|----------|-------|-------------|
| ① 外筒 | | ポリプロピレン |
| ② サブろ材 | | ポリプロピレン |
| ③ メインろ材 | | ポリエーテルサルフオン |
| ④ サブろ材 | | ポリプロピレン |
| ⑤ 内筒 | | ポリプロピレン |
| ⑥ プレート | | ポリプロピレン |
| ⑦ ガasket | | EPR (標準) |

※ ガasket(O-リング)は、前頁のガasket/O-リング材質より選定できます。

- | | | |
|----------------------|-------|------------------|
| ① outer tube | | polypropylene |
| ② sub-filter medium | | polypropylene |
| ③ main-filter medium | | Polyethersulfone |
| ④ sub-filter medium | | polypropylene |
| ⑤ inner tube | | polypropylene |
| ⑥ plate | | polypropylene |
| ⑦ gasket | | EPR (standard) |

※ An gasket(O-ring) can be chosen from Material quality of gaskets/O-ring on reverse page.